

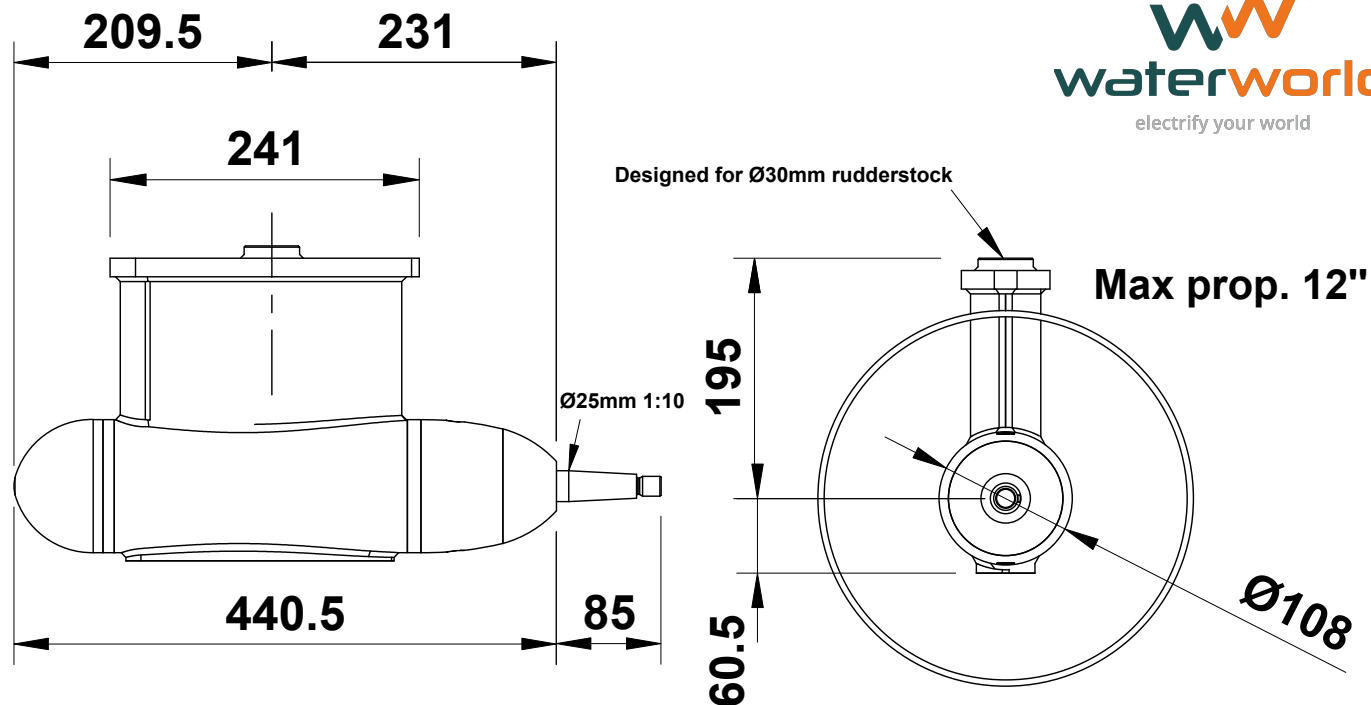
# WaterWorld 3.5kW Pod

Specially developed for the least possible drag in combination with the highest efficiency.  
Suitable for use in severe conditions in both fresh and salt water

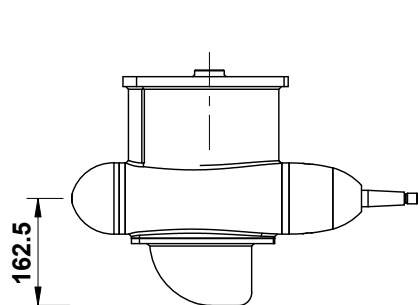
## Specifications:

Length	525mm
Width	108
Height	156mm
Weight	14kg
Speed	1500rpm
Power	3.5kW
System Voltage	48V

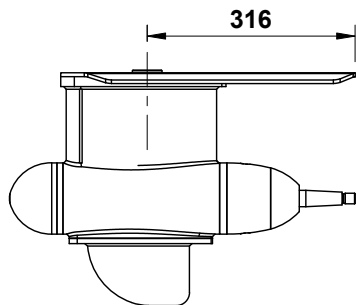
Can be mounted as fixed or steerable together with the WaterWorld steerable kit.  
To be ordered with fresh or saltwater anode.



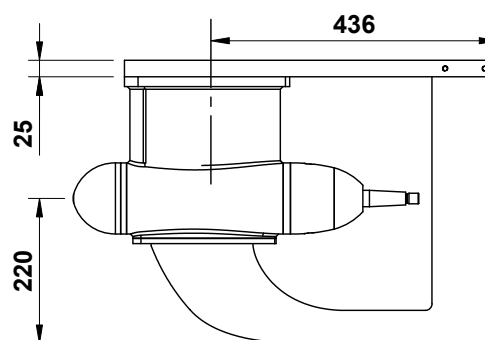
## Extra:



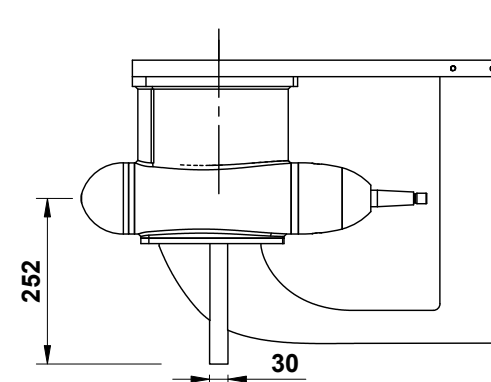
Ventral fin



Anti-cavitation plate



Rudder



Ventral pivot

More info at: [waterworldelectronics.com](http://waterworldelectronics.com)