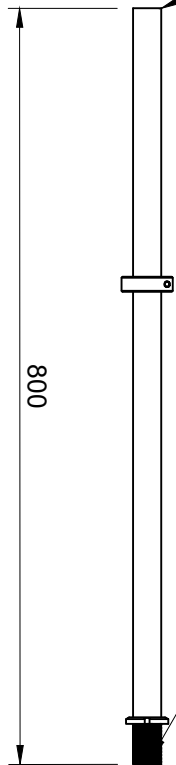
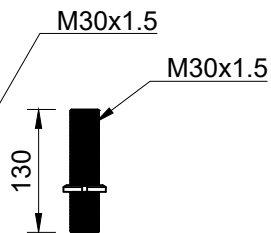


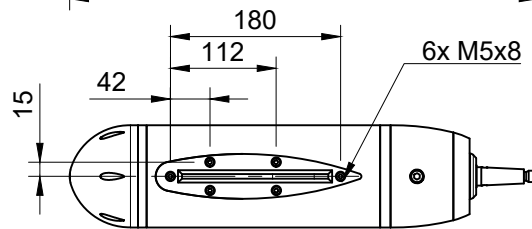
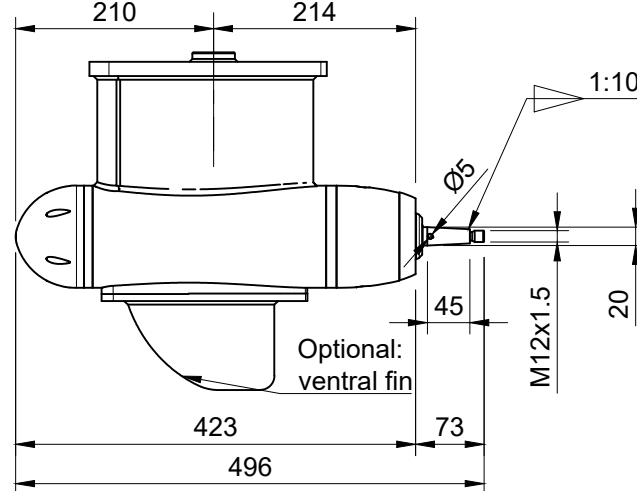
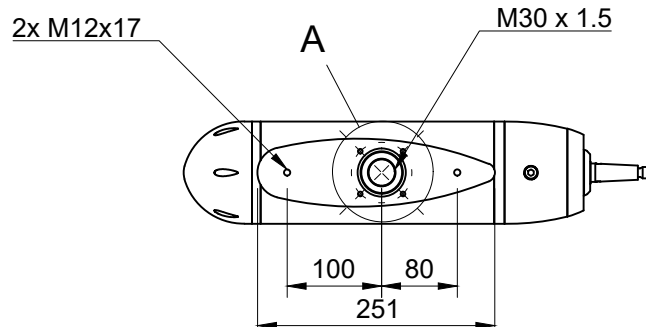
OD: 30mm
ID: 22mm



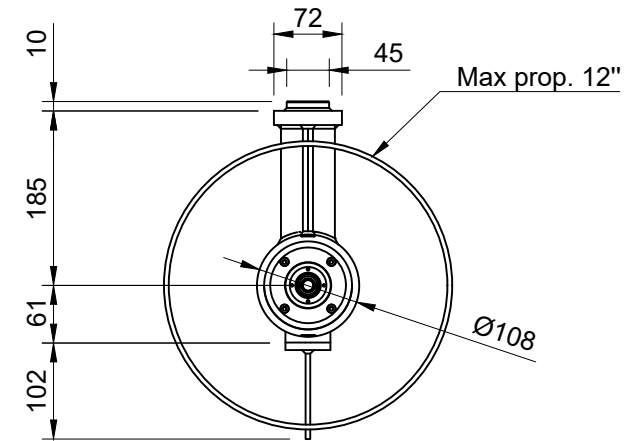
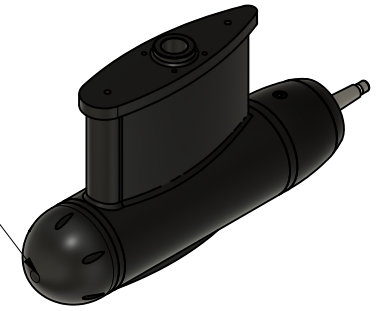
Assembly kit
steering



Assembly kit
fixed



Housing material EN AW 5083



WW
waterworld
electrify your world

Title

WW 2.0p

Article No.

WW-3501020

Created by

S.R. Roorda

Drawing scale

1:6

Units

mm

Paper size

A4

Document type

Dimension drawing

Rev.

1

Date of issue

30-5-2025

Sheet

1/1