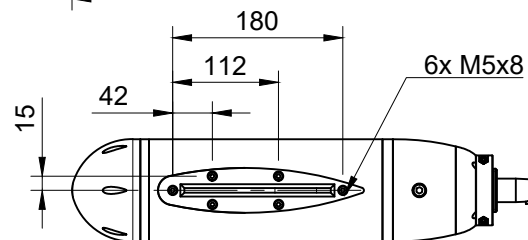
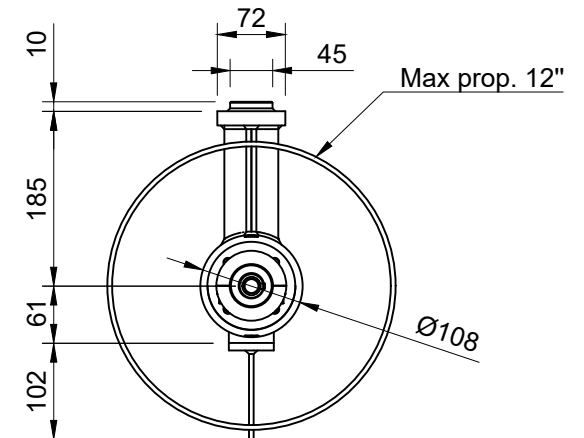
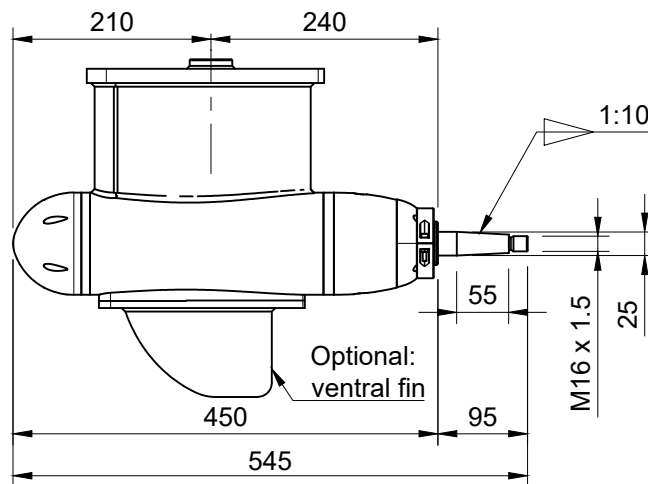
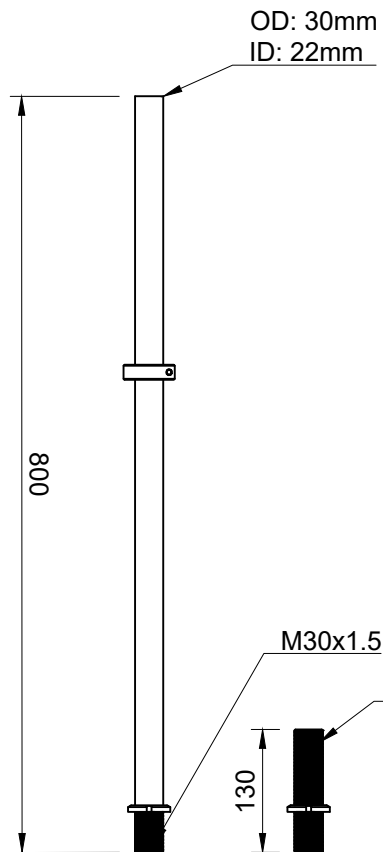
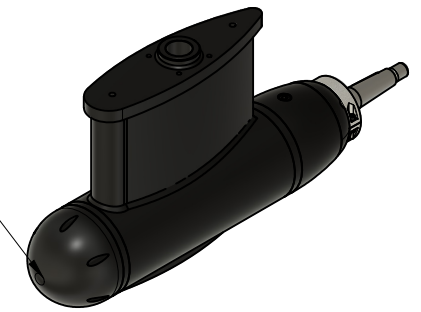


Housing material EN AW 5083



Assembly kit steering

Assembly kit fixed



Title		Article No.	
WW 3.5p		WW-3501035	
Created by	Drawing scale	Units	Paper size
S.R. Roorda	1:6	mm	A4
Document type	Rev.	Date of issue	Sheet
Dimension drawing	1	30-5-2025	1/1