

Assembly kit for steerable POD 3,5kW

Partnr: **WW-351S650**

This kit includes a rudderstock, steering liver, Delrin plain bearing, adjusting washer and KM6 round nut

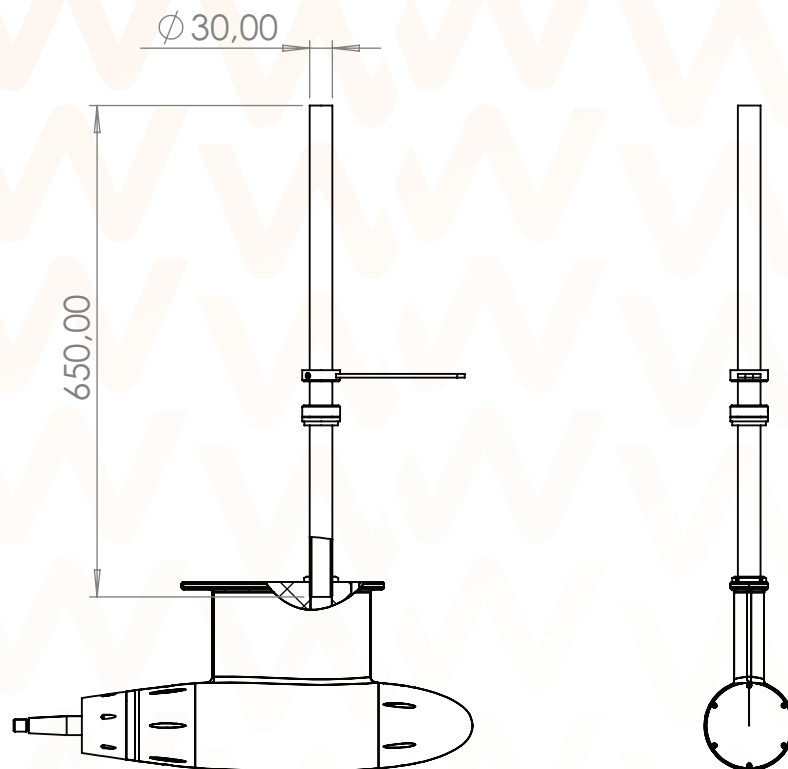
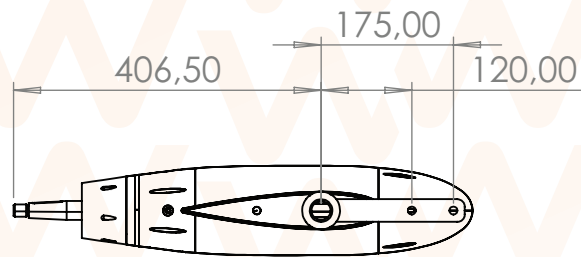
Specifications:

Rudderstock:
Stainless steel 316
Length 650mm (600mm above Pod)
Diameter 30mm

Steering liver:
Range 120mm/175mm

Delrin bearing:
Inner diameter 30mm
Outer diameter 40mm

To be ordered with fresh or saltwater anode.



More info at WW-EL.COM

ww
waterworld
electrify your world