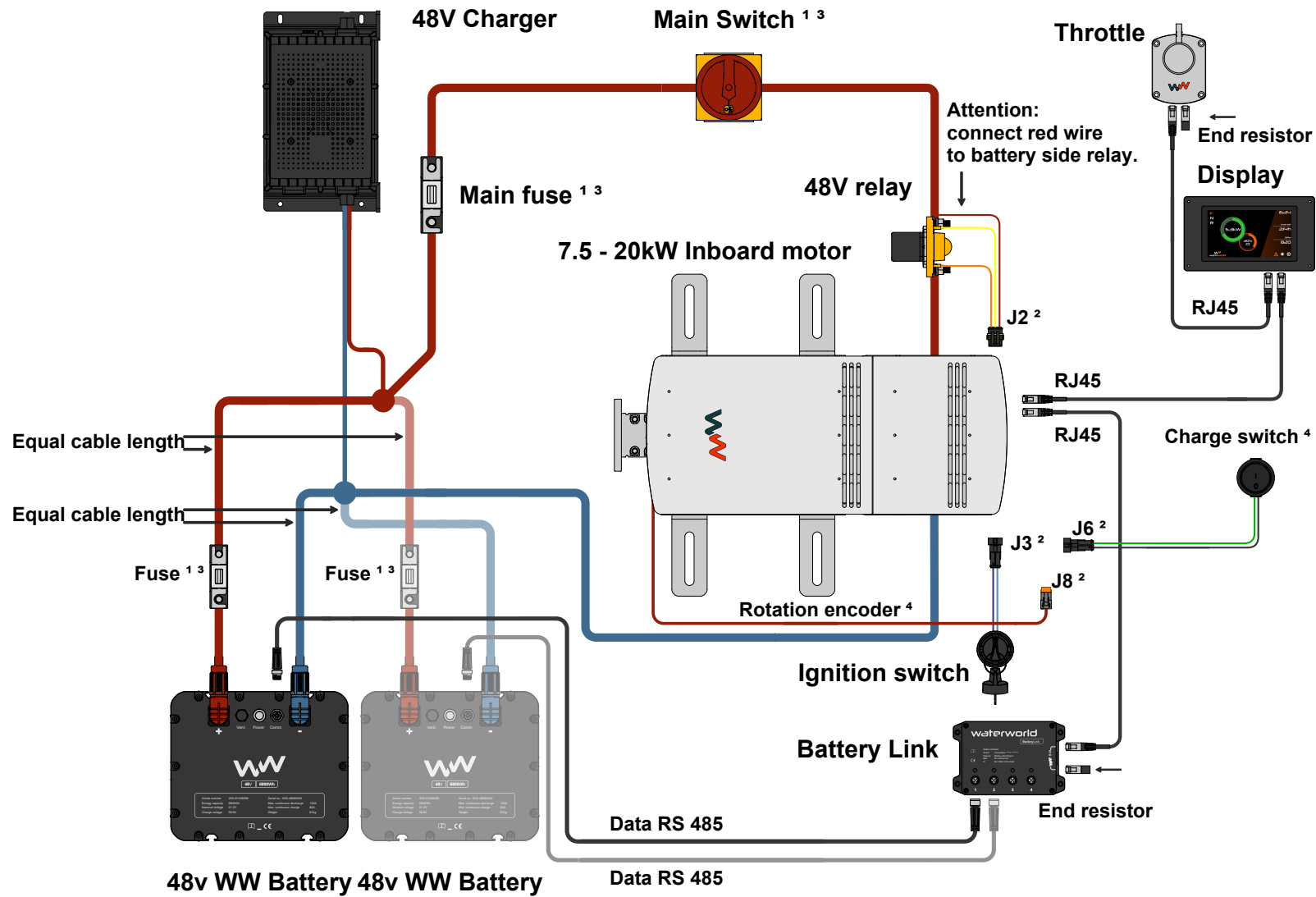


WW-9402
 Connection 10/20kW inboard >2023
 Version 2024

+ Main power
- Main power



- ¹ Not supplied by WaterWorld
- ² See connection diagram of cable harness
- ³ 1.6x nominal amp
- ⁴ For Regeneration pack